

Micro Speaker

Model: OSR2415V-3.8M0.8W8A



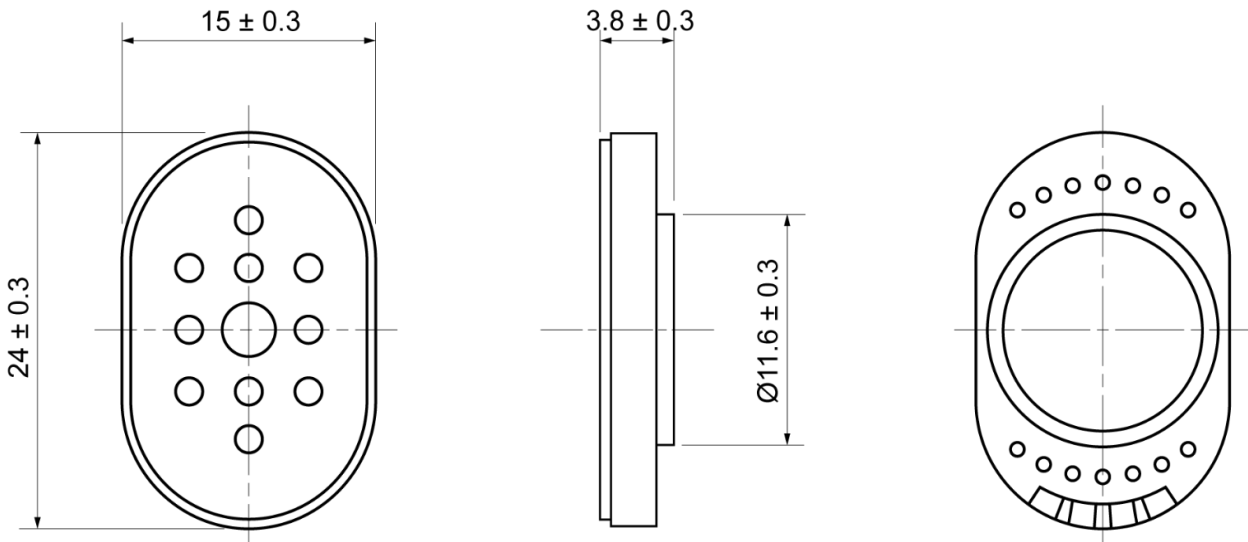
ELECTRICAL SPECIFICATIONS

	Condition	Parameter	Unit
Sound Pressure Level	at 0.1W, 10cm [at 1.0, 1.2, 1.5, 2.0KHz]	88 ± 3	dB
Impedance	at 1V, 2000Hz	8 ± 15%	Ω
Rated Input Power		0.8	W
Max Input Power		1.5	W
Resonant Frequency (Fo)	at 1V	1100 ± 20%	Hz
Frequency Range		Fo ~ 6000	Hz
Buzzer & Rattles	not be audible at sine wave between Fo ~ 6KHz	2.53	V
Operating Temperature		-25 ~ 60	°C
Magnet		Nd-Fe-B	
Frame Material		PBT	
Cone Material		Mylar (PEN)	
Weight		2	g

MECHANICAL DRAWING

Dimensions in mm

Tolerance ±0.5mm Except Specified



Micro Speaker

Model: OSR2415V-3.8M0.8W8A

FREQUENCY RESPONSE CURVE

